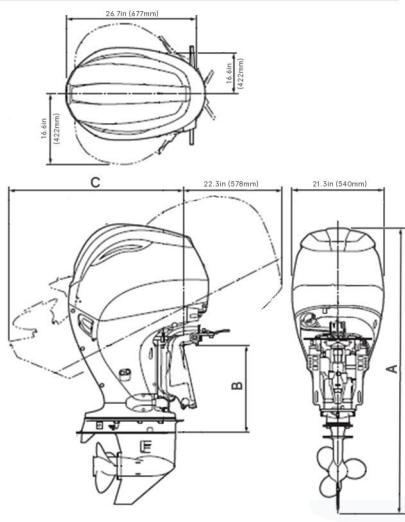


Dimensions

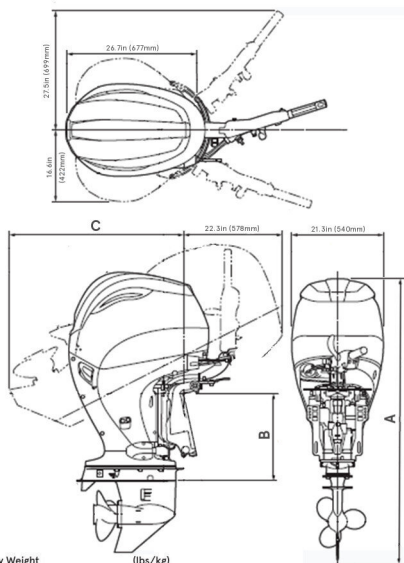


Dry Weight (lbs/kg)

Model	ET
Transom L:	392 (178)
Transom UL:	402 (182.5)

Dimensions (in/mm)

Model	A	B	C
Transom L:	65.1 (1654)	20.4 (517)	40.2 (1022)
Transom UL:	70.0 (1779)	25.4 (644)	44.7 (1135)



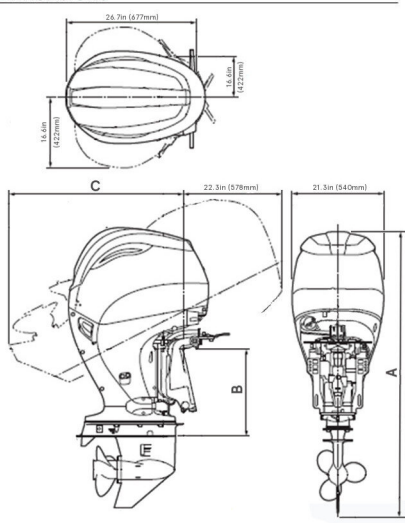
Dry Weight (lbs/kg)

Model	ET
Transom L:	402 (182.5)
Transom UL:	412 (187)

Dimensions (in/mm)

Model	A	B	C
Transom L:	65.1 (1654)	20.4 (517)	40.2 (1022)
Transom UL:	70.0 (1779)	25.4 (644)	44.7 (1135)

Dimensions

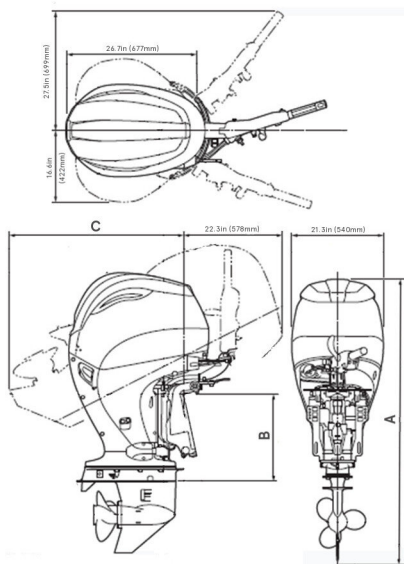


Dry Weight (lbs/kg)

Model	ET
Transom L:	392 (178)

Dimensions (in/mm)

Model	A	B	C
Transom L:	65.1 (1654)	20.4 (517)	40.2 (1022)



Dry Weight (lbs/kg)

Model	ET
Transom L:	402 (182.5)

Dimensions (in/mm)

Model	A	B	C
Transom L:	65.1 (1654)	20.4 (517)	40.2 (1022)