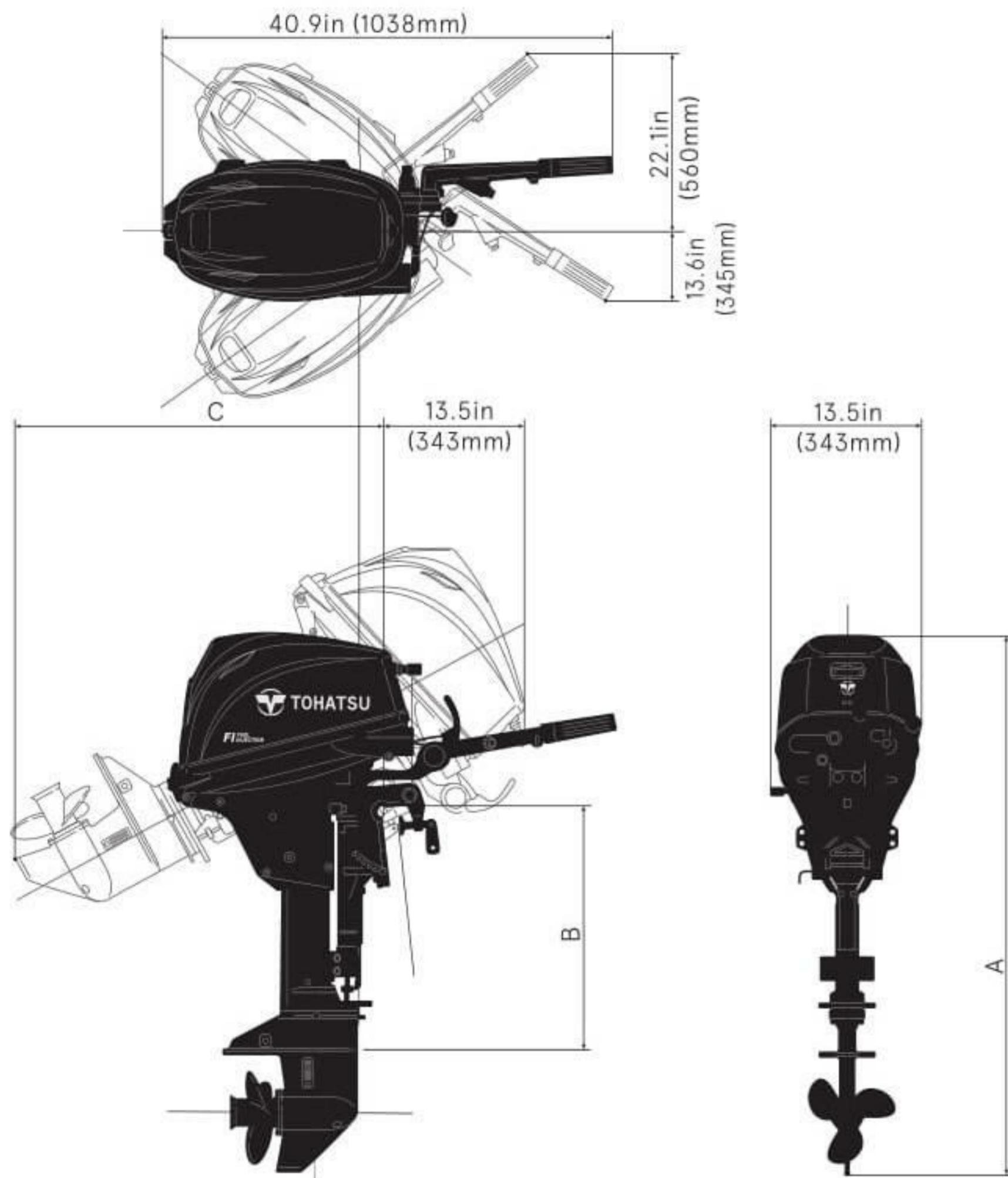


Dimensions



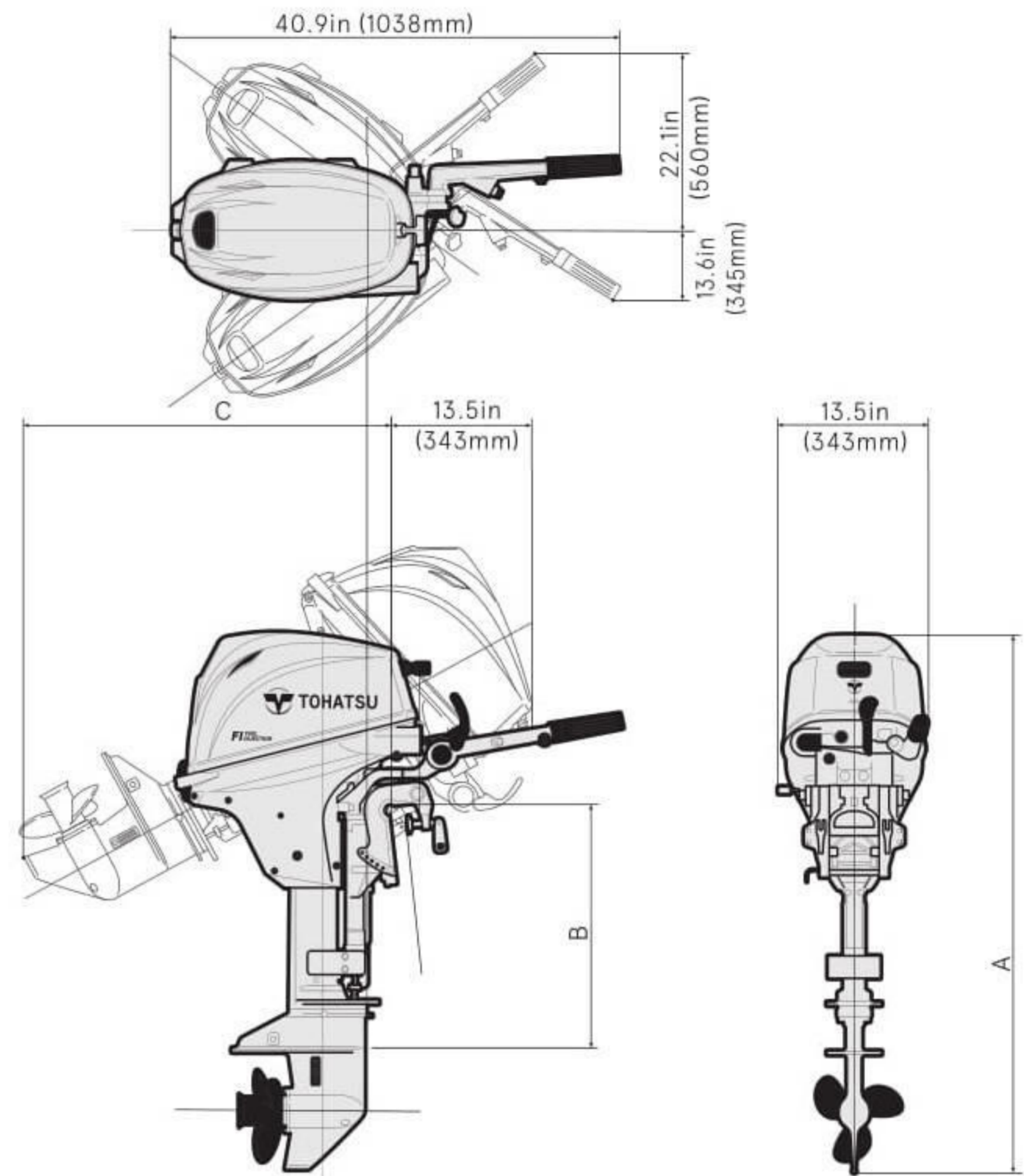
Dry Weight (lbs/kg)

Model	MF	EF	EP	EFT	EPT
Transom S:	94.7 (43.0)	103.6 (47.0)	101.4 (46.0)	115.7 (52.5)	113.5 (51.5)
Transom L:	97.0 (44.0)	105.8 (48.0)	103.6 (47.0)	117.9 (53.5)	115.7 (52.5)
Transom UL:	-	-	-	-	119.0 (54.0)

Dimensions (in/mm)

Model	A	B	C
Transom S:	43.9 (1116)	16.3 (413)	28.9 (735)
Transom L:	49.5 (1258)	22.1 (562)	34.3 (872)
Transom UL:	54.6 (1386)	27.1 (689)	38.9 (988)

Dimensions



Dry Weight (lbs/kg)

Transom S:	113.5 (51.5)
Transom L:	115.7 (52.5)

Dimensions (in/mm)

Model	A	B	C
Transom S:	43.9 (1116)	16.3 (413)	28.9 (735)
Transom L:	49.5 (1258)	22.1 (562)	34.3 (872)